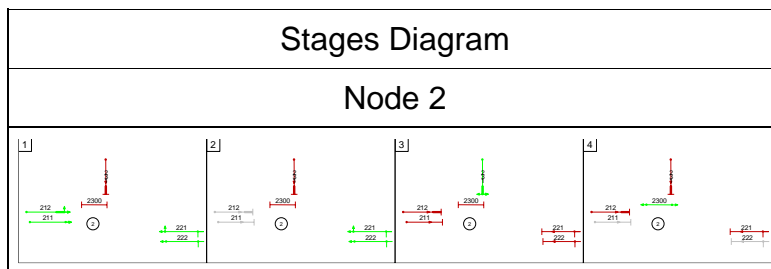
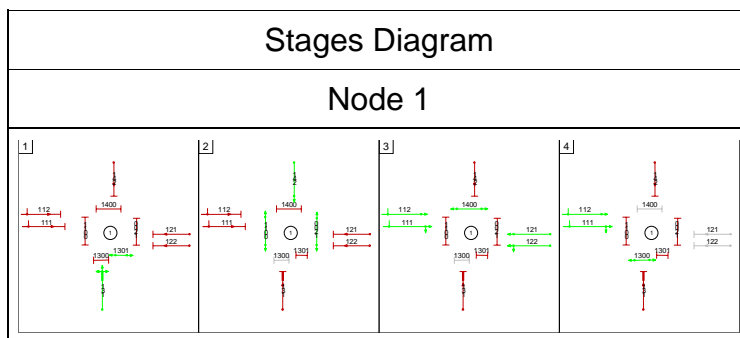
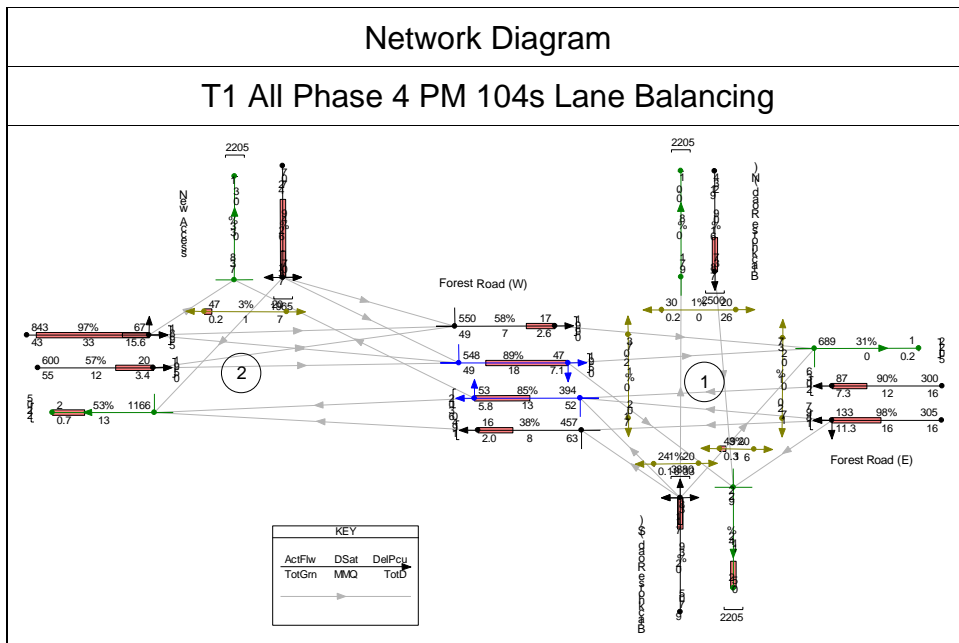
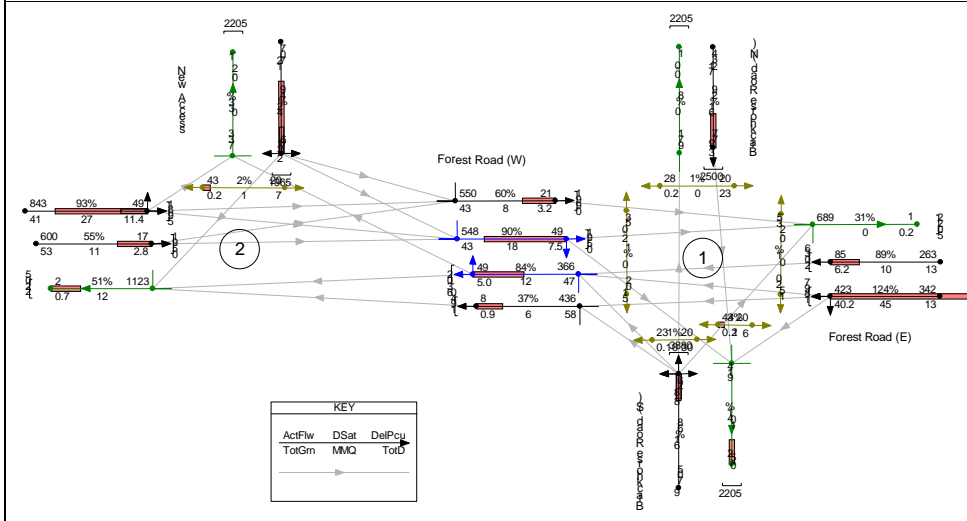


Blackhorse Road 130m 2 Lane Gate T1-T6



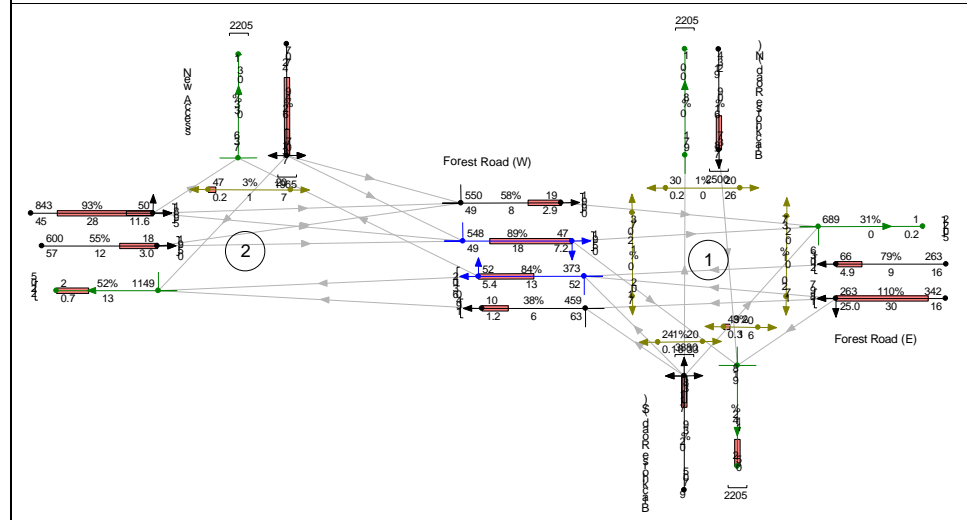
Network Diagram

T2 All Phase 4 PM 96s



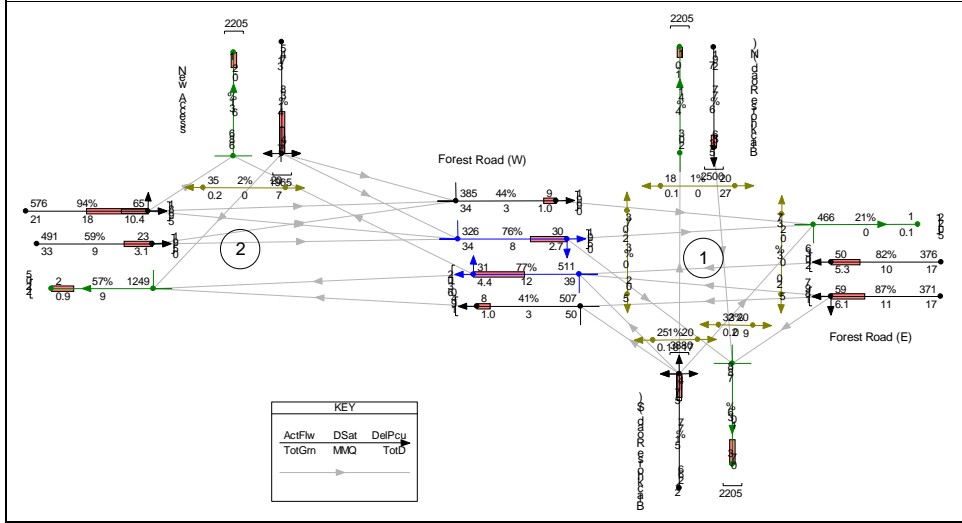
Network Diagram

T3 All Phase 4 PM 104



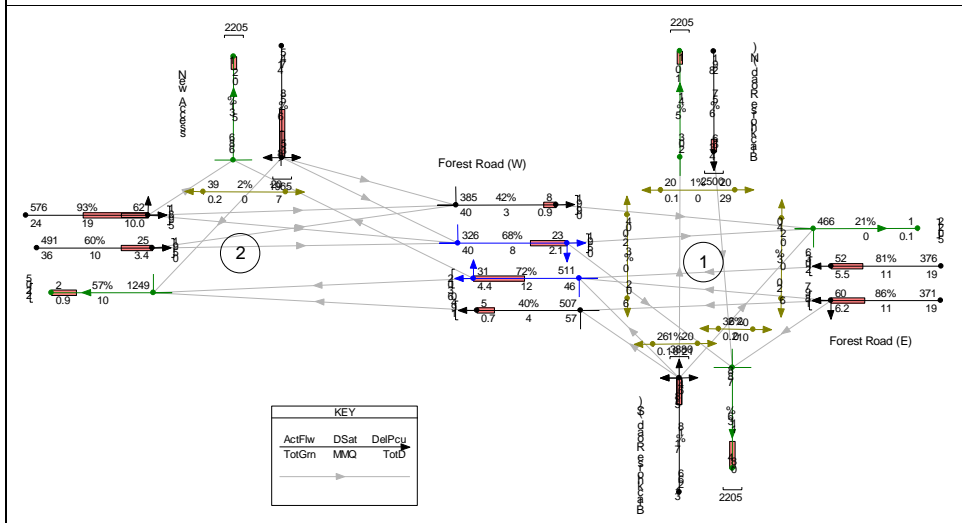
Network Diagram

T4 All Phase 4 AM 80s



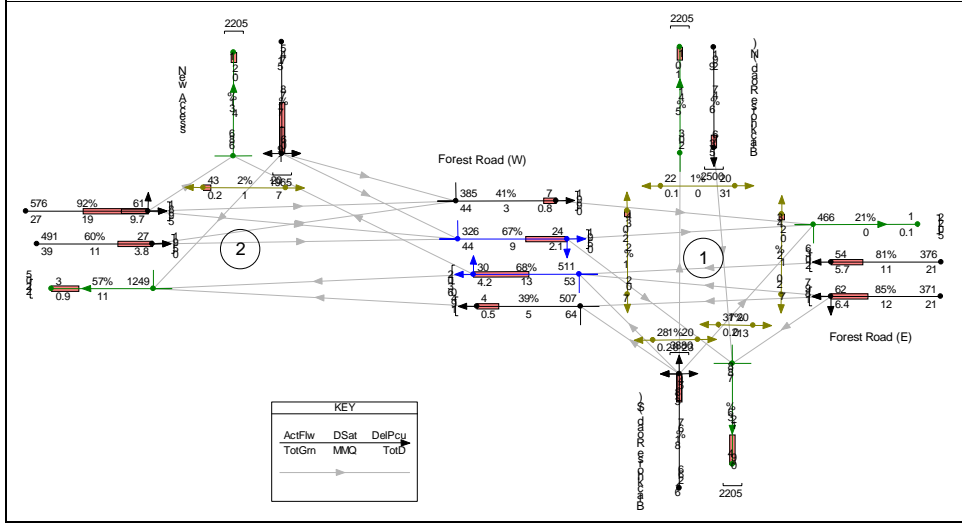
Network Diagram

T5 All Phase 4 AM 88s



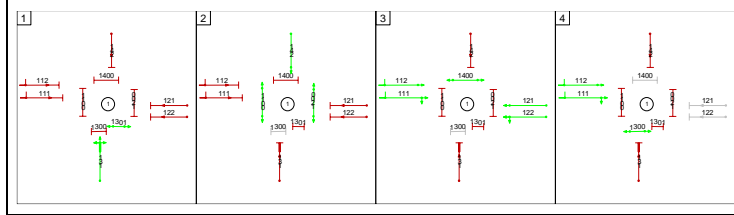
Network Diagram

T6 All Phase 4 AM 96s



Stages Diagram

Node 1



Stages Diagram

Node 2

